



# T5™

Point-of-Care  
Technology Cart



# T5 Point-of-Care Technology Cart

The first truly ergonomic workstation-on-wheels solution solution, Humanscale's T line of point-of-care technology carts offers fresh solutions to today's healthcare IT challenges.

Humanscale's award-winning T5 teams unmatched mobility and comfort with a high-performance power system for both laptops and PCs. Designed to meet the ergonomic requirements of 99% of users in both sitting and standing postures, the T5 provides independent adjustability of the keyboard, monitor, work surface and overall cart height for maximum user comfort. Plus its minimal footprint ensures effortless maneuverability in tight corridors, around hospital beds, and other compact spaces.

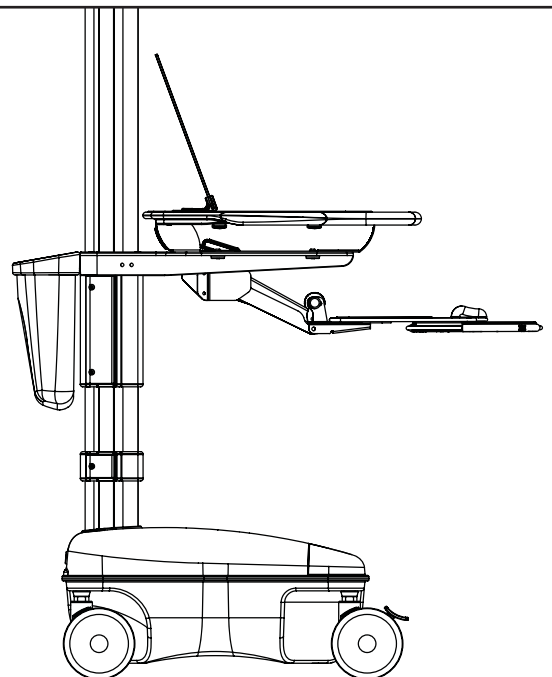
The T5's optional energy-conscious and quick-charging internal power system stays cool without a fan—which helps limit the spread of contagions. Power reserves may be easily monitored from both a graphic computer interface and a unique remote power management system that relays information to a central location within a healthcare facility.

Designed with the environment in mind, the T5 contains more than 50% recycled materials and is itself 95% recyclable.

## Research-Driven Design

Extensive research and interviews with regular Workstation on Wheels users led to the development of key features of the T5, including:

- Comfort for the widest range of users
- Ease of mobility
- Maximum maneuverability in confined spaces
- Long-lasting power



# Specifications & Features

## Ergonomic Adjustability

- Accommodates the ergonomic needs of 99% of all users, sitting and standing
- Patented one-touch keyboard/mouse support technology
  - 25" to 43" adjustment range
  - Optional extra 5" of keyboard height adjustment
  - 0° to -15° keyboard tilt for low-risk keying posture
  - Adjustable mousing surface for both left- and right-handed users
  - Technogel® palm support with wipeable, anti-microbial cover
- PC model provides monitor adjustability
  - 40" to 58" adjustment range
  - Optional extra 6" of monitor height adjustment
  - 30-degree tilt range
  - 360-degree monitor rotation
  - Work surface adjustment range: 28" to 46"
- Foot pedal provides simple overall changes in cart height
- Easiest Workstation on Wheels to move and maneuver
  - Push-pull handle accessible from three sides
  - Steel ball bearing casters roll smoothly on both hard and carpeted surfaces and provide less than two pounds of push/pull resistance
  - Casters' large diameter allows for easy movement over flooring transitions and on/off elevators

## Hardware Support

- Laptop computer version accommodates notebooks up to 17"
- PC version supports most CPUs and thin client server devices
- Small form factor compatible
- Supports dual-monitor applications

## Optional Power System

- Four Power Systems to choose from:
  - 40 amp/hour SLA power system
  - 60 amp/hour SLA power system
  - 230 volt output system for international applications
  - 40 amp/hour Li-ion power system (a green solution that offers shorter charge time, longer battery life and lighter weight)



# Specifications & Features



## Security & Safety

- Unique security system protects hardware against theft
- Front-locking casters
- Customizable spill protection for laptop computers
- Fan-free power system helps limit spread of contagions



## Warranty

- Five-year warranty on all parts with the following exceptions:
  - Power supply: 3 years
  - Battery: 90 days
  - Enrollment in optional battery replacement program available at time of purchase
  - Best service and warranty program in the industry



## Sustainability

- Contains 50% recycled materials
- 95% recyclable
- Energy-efficient power system

## Additional Details

- Inset work surface keeps objects from falling
- Utility container positioned for easiest accessibility
- Cable management system
- Optional add-ons include peripheral shelves, printer shelves, barcode scanner clip, vital signs monitor, equipment mounts, glove and wipes dispensers, sharps holders, and cup and bottle holders
- Antimicrobial and easy-clean finishes
- Improved power access and wire management at head assembly
- Custom writing surfaces available



Creating a more comfortable place to work

[www.humanscale.com](http://www.humanscale.com)

[scanmagnetics.com](http://scanmagnetics.com)

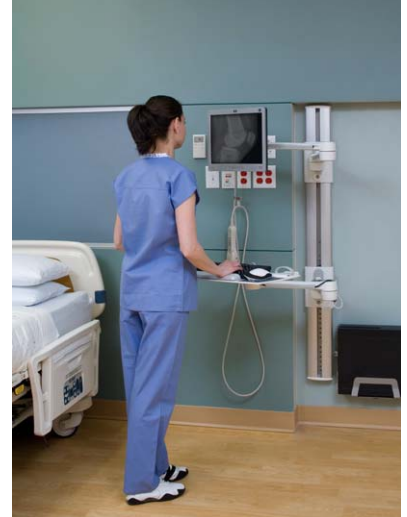
V7™



Humanscale™  
Healthcare

# V7

The V7 Wall Station teams ergonomic comfort and safety with maximum flexibility to facilitate computer use in healthcare environments. Offering an unparalleled 51 inches of effortless keyboard and monitor height adjustment, the V7 provides optimal positioning for caregivers at work in either sitting or standing positions.



## Features

- Accommodates 99% of users in both seated and standing positions
- Monitor and keyboard arms offer independent one-touch adjustability
- Height adjustment requires less than one pound of force
- Fingertip adjustability enables frequent position changes
- Flexible monitor positioning enables caregiver to maintain visual contact with patient
- Keyboard/mouse platform flips up for efficient storage
- Integrated cable management system hides wires
- Separate CPU holder can be integrated into track or wall-mounted
- Contemporary design and color palette

## Specifications

- 51-inch total height adjustment range
- Monitor arm extends 36" from wall
- Keyboard platform extends 47" from wall
- Keyboard and monitor can be stored within 8" of wall
- Contains 75% recycled and 95% recyclable content



Creating a more comfortable place to work

[www.humanscalehealthcare.com](http://www.humanscalehealthcare.com)  
800.400.0625

[scanmagnetics.com](http://scanmagnetics.com)

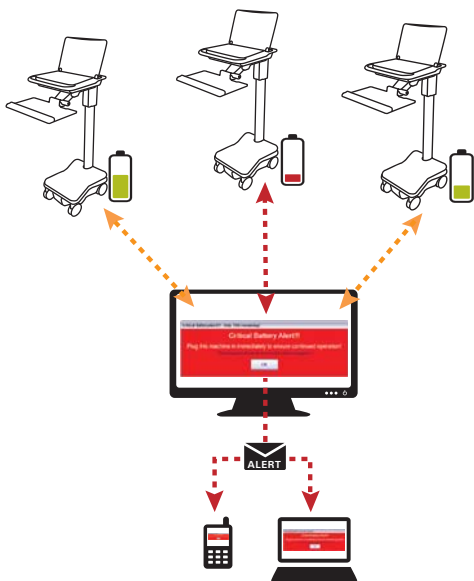
# ReadyFleet™ Technology Manager

Featuring unlimited management capacity, Humanscale's state-of-the-art ReadyFleet Technology Manager keeps watch over every point-of-care cart in your fleet—no matter the size, no matter the location, no matter the manufacturer.



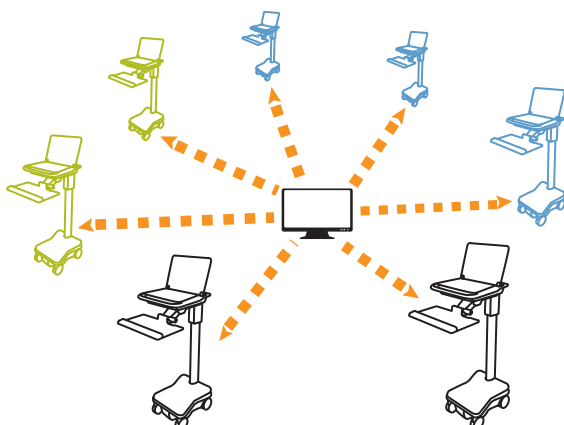
## Cart Management—Made Easy

ReadyFleet Technology Manager acts as a healthcare organization's watchguard, monitoring the battery levels of every technology cart in every location from one convenient, web-based portal.



## Power Monitoring Services

- Constantly monitors battery levels on all carts within ReadyFleet's system
- Alerts users when battery levels reach low thresholds
- Sends customizable email alerts in response to a wide range of facility-specified criteria
- Convenient web portal allows carts to be monitored remotely from any standard internet connection
- Prolongs cart battery life by safeguarding against full discharge
- Ensures all carts are powered and ready for use

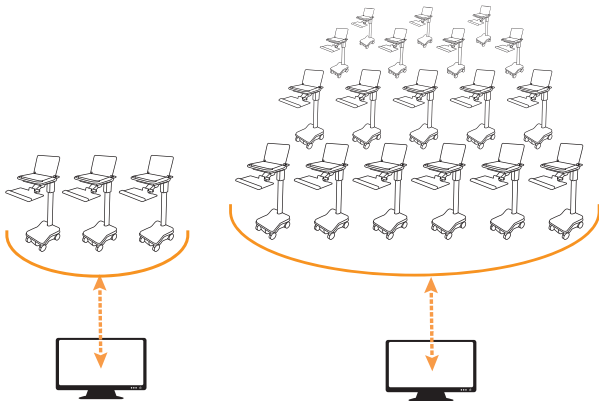


## Universal Compatibility

Although ReadyFleet is specifically compatible with Humanscale's line of T5 technology carts, it is designed to work with any cart or battery system. Even a fleet of carts featuring several different makes and models can be easily converted for ReadyFleet compatibility.

# The ReadyFleet Advantage

Unlimited carts. Global reach. Ultimate ease of use. No cart monitoring system provides broader coverage or better protection for your technology investment.



## Unlimited Cart Capacity

No matter the size of your fleet, ReadyFleet has you covered. Unlike other cart management applications that monitor only a limited number or specific type of cart, ReadyFleet has unlimited management capacity. Equipped to handle tens, hundreds, or even thousands of carts, ReadyFleet is the ideal solution for clinical facilities of all sizes.

## Global Enterprise

While other software requires a Virtual Private Network (VPN) or similar connection to manage carts in multiple locations, ReadyFleet's Global Enterprise feature provides access to any and all carts in its system—regardless of geography—from any standard internet connection. Even a fleet of carts spread nation- or worldwide can be easily monitored from a single web portal. No other application provides such convenient global reach, making ReadyFleet the perfect management tool for multi-facility organizations.



## Real-Time Location Service

ReadyFleet's optional Real-Time Location Service Interface can locate any cart in your fleet in real time, so finding a cart that needs to be charged or serviced can be done quickly. Plus, ReadyFleet can be programmed to provide alerts when equipment leaves its designated area, putting an end to the headaches of misplaced carts.

**ReadyFleet. Your fleet—ready when you need it.**



[www.humanscalehealthcare.com](http://www.humanscalehealthcare.com)  
800.400.0625 ext. 6

[scanmagnetics.com](http://scanmagnetics.com)